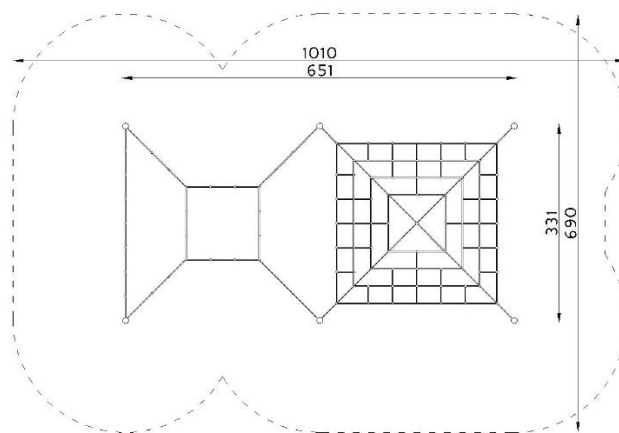


TECHNICAL DATA:

Not easy accessible device,
according to standard EN 1176-1:2017

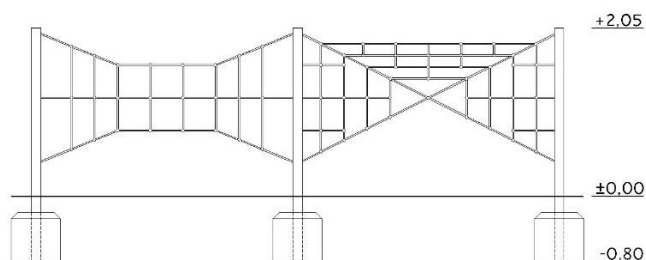
Device dimensions:	6,51x3,31m
Device height:	2,05m
Falling area:	10,10x6,90m
Minimum space:	64,43m ²
Critical fall height:	2,00m
Foundations depth::	-0,8m

Top view with falling area



The device according to EN 1176-1:2012
Playground equipment and surfacing – Part 1:
General safety requirements and test methods

- Safety surfaces:
- turf/topsoil, sand, gravel, bark, synthetic surface
 - minimal thickness for loose particulate materials 200+100mm
 - synthetic surface according to critical fall height



MATERIALS:

Construction poles:	steel profiles, galvanized, powder coated
Rope net:	polypropylene braided with a steel, interconnected by plastic fasteners
Caps:	plastic
Foundations:	concrete min. C12/15 standard



SATERNUS DISTRIBUTION Sp. z o.o. sp.k.
ul. Nowa 32
41-500 Chorzów, Poland

Certificate beholder:
Producer:
Distributor:

GRUPA SATERNUS Sp. z o.o. S. K. A. reserves all rights to protect copyright under the Act of February 4, 1994 on Copyright and Related Rights (Journal of Laws No. 28, item 83), and in particular Art. 78 and 79 of this Law.

GRUPA SATERNUS Sp. z o.o. S. K. A.
Saternus Production Sp. z o.o. sp. k.
Saternus Distribution Sp. z o.o. sp. k.