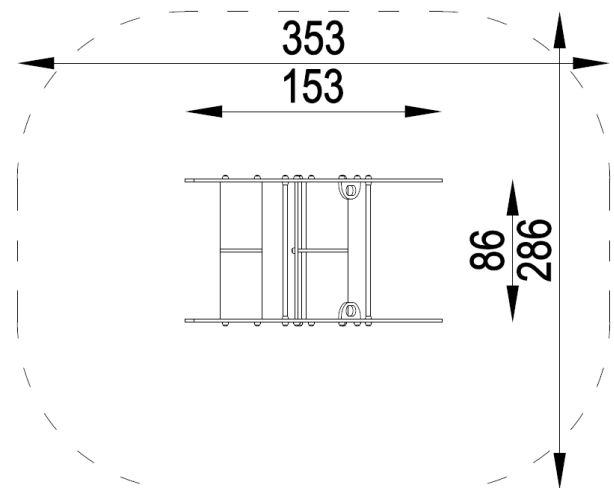


**TECHNICAL DATA:**

Suggested age group: + 2

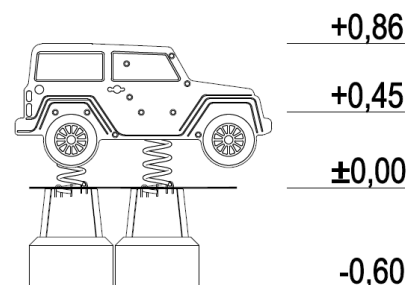
Width: 0,86 m  
 Length: 1,53 m  
 Height: 0,86 m  
 Dimensions of impact area width: 2,86 m  
 Dimensions of impact area length: 3,53 m  
 Impact area: 9,22 m<sup>2</sup>  
 HIC: 0,45 m  
 Depth of foundations: -0,60 m

**Top view with impact area**



The device according to:  
 EN 1176-1:2017-12 standards playground equipment.  
 General safety requirements and examination methods.

Safety surface: grass, sand, gravel, bark, rubber  
 (minimal thickness for all loose surfaces 200 + 100mm)



## MATERIALS:

Whole device:	HDPE sheets
Spring:	hot -dip galvanized steel, powder coated
Steel elements:	hot -dip galvanized steel, powder coated
Connections:	stainless steel machine screws
Caps:	plastic
Foundation base:	openwork steel construction
Foundations:	concrete min. C12/15 standard



SATERNUS DISTRIBUTION Sp. z o.o. sp.k.  
ul. Nowa 32  
41-500 Chorzów, Poland

Certificate beholder:  
Producer:  
Distributor:

GRUPA SATERNUS Sp. z o.o. S. K. A. reserves all rights to protect copyright under the Act of February 4, 1994 on Copyright and Related Rights (Journal of Laws No. 28, item 83), and in particular Art. 78 and 79 of this Law.

GRUPA SATERNUS Sp. z o.o. S. K. A.  
Saternus Production Sp. z o.o. sp. k.  
Saternus Distribution Sp. z o.o. sp. k.