

TECHNICAL DATA:

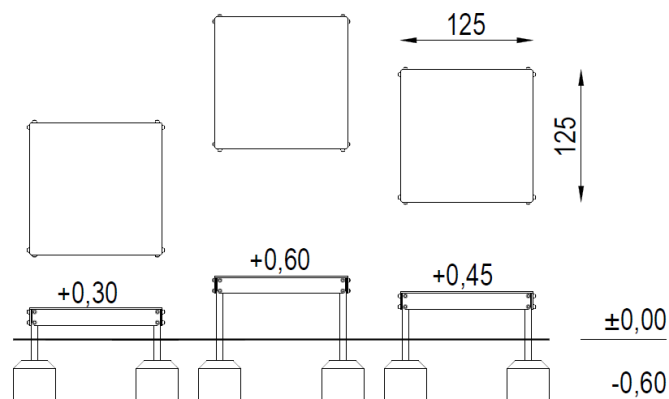
1 set = 3 pcs

Device dimensions: 1,25 x 1,25m
 Device height: 0,30m / 0,45m / 0,60m
 Foundations depth: -0,60m

The device is intended only for dog training.
 The device is **not intended** for human use.

It is recommended to place the device on a grass surface.
 The surface under the whole device should be homogeneous.

Projection and device view



MATERIALS:

Supporting posts: steel profiles, galvanized, powder coated in gray
 Horizontal construction: impregnated wooden beams
 Flat elements: anti-slip waterproof plywood, elements made of HDPE sheet
 Foundations: concrete min. C12/15 standard



SATERNUS DISTRIBUTION Sp. z o.o. sp.k.
 ul. Nowa 32
 41-500 Chorzów, Poland

Certificate beholder:
 Producer:
 Distributor:

GRUPA SATERNUS Sp. z o.o. S. K. A. reserves all rights to protect copyright under the Act of February 4, 1994 on Copyright and Related Rights (Journal of Laws No. 28, item 83), and in particular Art. 78 and 79 of this Law.

GRUPA SATERNUS Sp. z o.o. S. K. A.
 Saternus Production Sp. z o.o. sp. k.
 Saternus Distribution Sp. z o.o. sp. k.