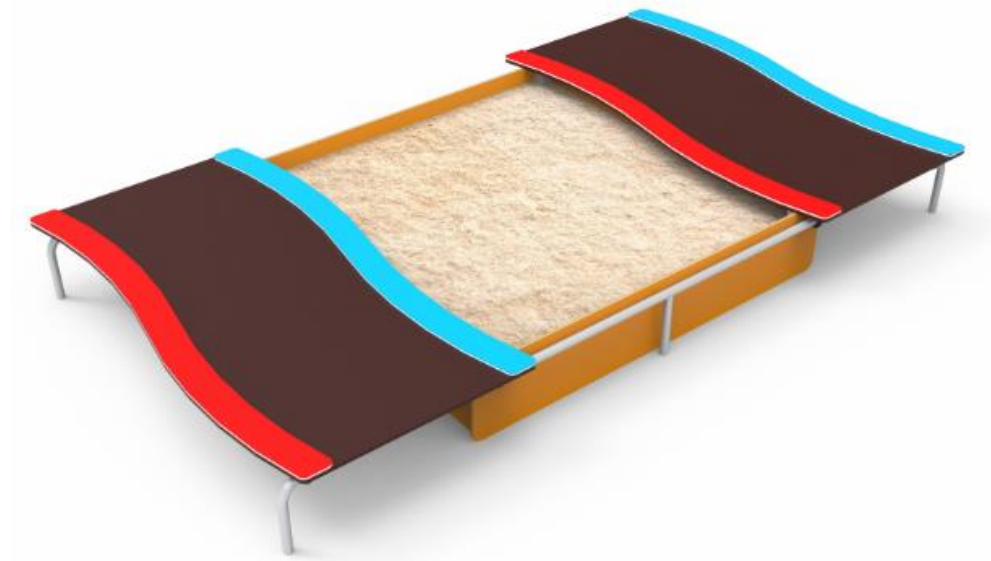


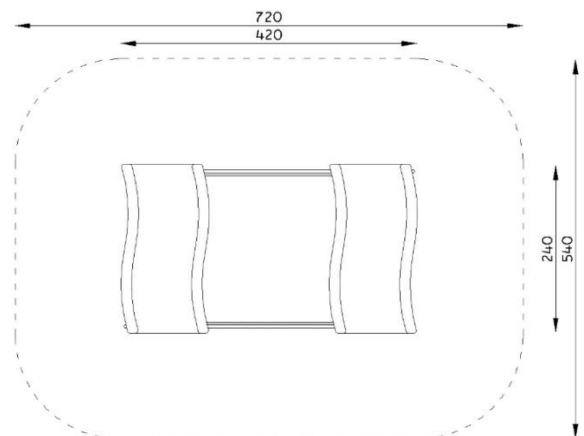
10046 COVERED SANDBOX



TECHNICAL DATA:

Device dimensions:	2,40m x 4,20m
Device height:	~0,43m
Minimum space:	7,20m x 5,40m
Falling area:	36,97m ²
Critical fall height:	0,43m
Foundations depth:	-0,40m

Top view with falling area



The device according to EN 1176-1:2012

Playground equipment and surfacing – Part 1:
General safety requirements and test methods

A cushioning surface is not required.
The surface under the whole device must be homogeneous.



MATERIALS:

Decorative elements:

Construction

Cover:

Guideways:

Sandbox seats:

Covers:

HDPE sheet

galvanized steel profiles

waterproof plywood

stainless steel tubes

HDPE sheet

plastic



SATERNUS DISTRIBUTION Sp. z o.o. sp.k.
ul. Nowa 32
41-500 Chorzów, Poland

Certificate beholder:
Producer:
Distributor:

GRUPA SATERNUS Sp. z o.o. S. K. A. reserves all rights to protect copyright under the Act of February 4, 1994 on Copyright and Related Rights (Journal of Laws No. 28, item 83), and in particular Art. 78 and 79 of this Law.

GRUPA SATERNUS Sp. z o.o. S. K. A.
Saternus Production Sp. z o.o. sp. k.
Saternus Distribution Sp. z o.o. sp. k.