

0910_ CONCRETE INTEGRATION SAND



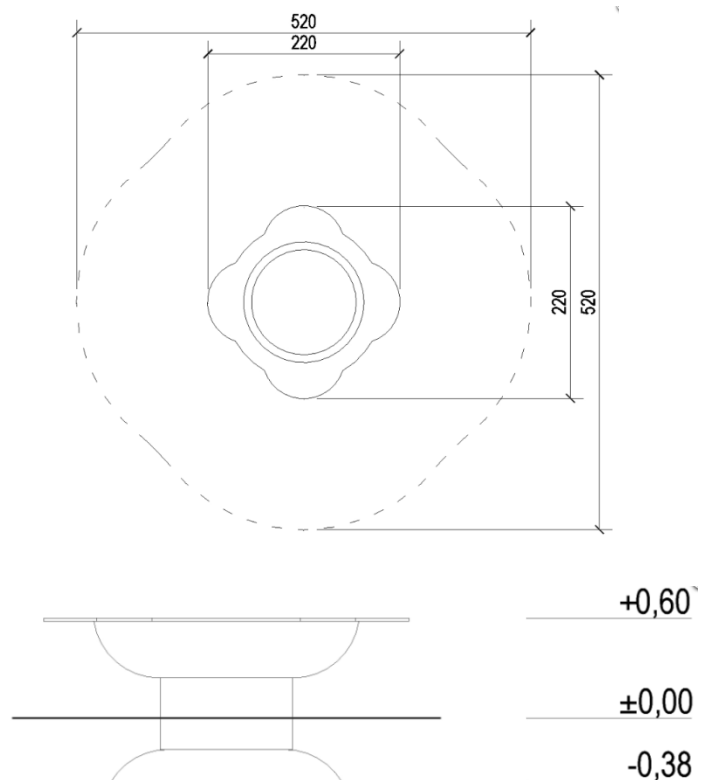
TECHNICAL DATA:

Device dimensions:	2,20m x 2,20m
Device height:	~0,60m
Minimum space:	5,20m x 5,20m
Falling area:	20,01m ²
Critical fall height:	0,60m
Foundations depth:	-0,38m

The device according to EN 1176-1:2012
 Playground equipment and surfacing – Part 1:
 General safety requirements and test methods.

A cushioning surface is not required.
 The surface under the whole device must be homogeneous.

Top view with falling area



MATERIALS:

Sandbox walls:

Concrete

Sandbox seats, decorative applications:

HDPE sheet



SATERNUS DISTRIBUTION Sp. z o.o. sp.k.
ul. Nowa 32
41-500 Chorzów, Poland

Certificate beholder:
Producer:
Distributor:

GRUPA SATERNUS Sp. z o.o. S. K. A. reserves all rights to protect copyright under the Act of February 4, 1994 on Copyright and Related Rights (Journal of Laws No. 28, item 83), and in particular Art. 78 and 79 of this Law.

GRUPA SATERNUS Sp. z o.o. S. K. A.
Saternus Production Sp. z o.o. sp. k.
Saternus Distribution Sp. z o.o. sp. k