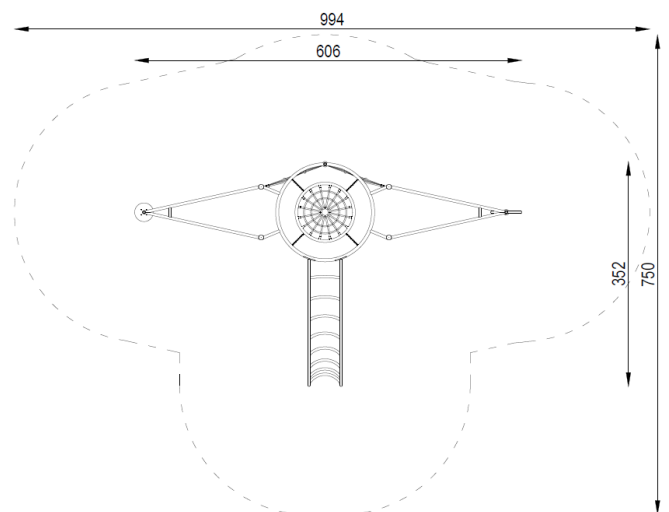


TECHNICAL DATA:

Not easily accessible device,
according to standard EN 1176-1:2017

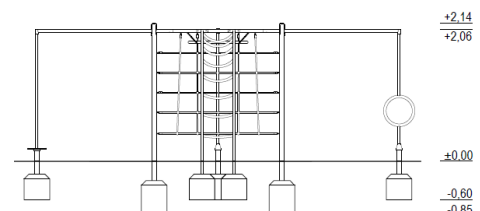
Device dimensions:	6,06 x 3,52m
Device height:	2,14m
Minimum space:	9,94 x 7,50m
Falling area:	49,68m ²
Critical fall height:	2,06m
Foundations depth:	-0,60m

Top view with falling area



The device according to EN 1176-1:2017
Playground equipment and surfacing – Part 1:
General safety requirements and test methods.

- Safety surfaces:
- sand, gravel, bark, synthetic surface
 - minimal thickness for loose particulate materials 300+100mm
 - synthetic surface according to critical fall height



COMPONENTS:

Vertical net	1 pc
Horizontal net	1 pc
Arched ladder	1 pc
Spinning pole	2 pcs

MATERIALS:

Construction poles:	steel square profiles, galvanized, powder coated in gray
Ropes:	polypropylene braided with a steel, interconnected by plastic fasteners
Chains:	galvanized steel, calibrated
Spinning poles:	maintance-free elements
Caps:	plastic
Foundations:	concrete min. C12/15 standard



SATERNUS DISTRIBUTION Sp. z o.o. sp.k.
ul. Nowa 32
41-500 Chorzów, Poland

Certificate beholder:
Producer:
Distributor:

GRUPA SATERNUS Sp. z o.o. S. K. A. reserves all rights to protect copyright under the Act of February 4, 1994 on Copyright and Related Rights (Journal of Laws No. 28, pc 83), and in particular Art. 78 and 79 of this Law.

GRUPA SATERNUS Sp. z o.o. S. K. A.
Saternus Production Sp. z o.o. sp. k.
Saternus Distribution Sp. z o.o. sp. k.