

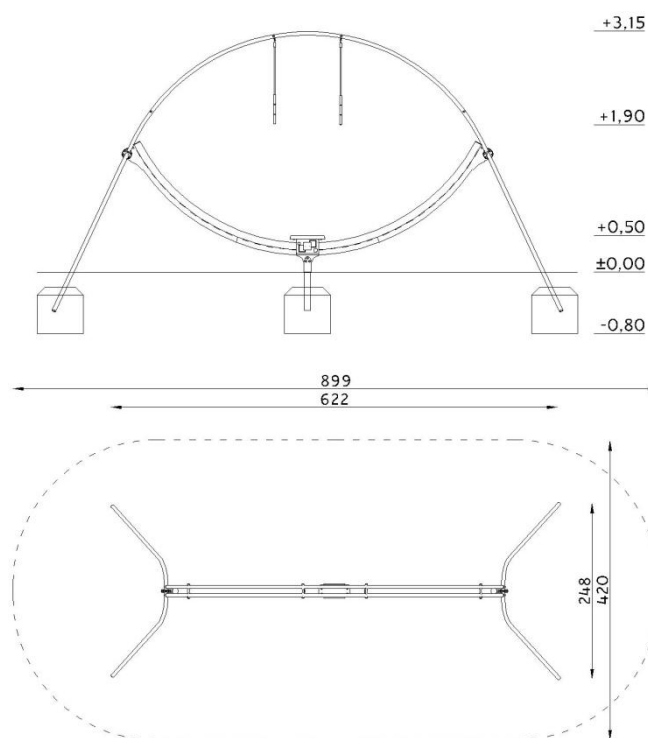


TECHNICAL DATA:

Not easily accessible device,
according to standard EN 1176-1:2017

Device dimensions:	6,22 x 2,48m
Device height:	3,15m
Minimum space:	8,99 x 4,20m
Falling area:	34,63m ²
Critical fall height:	1,83m
Foundations depth:	-0,60m

Top view with falling area



The device according to EN 1176-1:2017
Playground equipment and surfacing – Part 1:
General safety requirements and test methods

Safety surfaces:

- sand, gravel, bark, synthetic surface
- minimal thickness for loose particulate materials 300+100mm
- synthetic surface according to critical fall height

LIST OF ELEMENTS:

Circular handle attached to the top beam: 1 pc
Legs support: 1 pc
Splint with legs supports: 1 pc

MATERIALS:

Construction: pipes made of bath- galvanized steel
Platforms: self-supporting structure, coated with non-slip material
Handles: polypropylene braided with a steel, interconnected by plastic fasteners
Steel elements: galvanized steel, powder painted
Caps: plastic
Foundations: concrete min. C12/15 standard



SATERNUS DISTRIBUTION Sp. z o.o. sp.k.
ul. Nowa 32
41-500 Chorzów, Poland

Certificate beholder:
Producer:
Distributor:

GRUPA SATERNUS Sp. z o.o. S. K. A. reserves all rights to protect copyright under the Act of February 4, 1994 on Copyright and Related Rights (Journal of Laws No. 28, item 83), and in particular Art. 78 and 79 of this Law.

GRUPA SATERNUS Sp. z o.o. S. K. A.
Saternus Production Sp. z o.o. sp. k.
Saternus Distribution Sp. z o.o. sp. k.