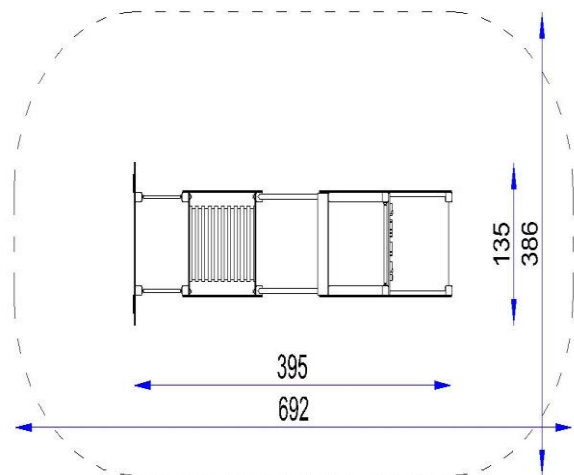


TECHNICAL DATA:

Easily accessible device according to EN 1176-1:2017

Device dimensions:	3,95m x 1,35m
Device height:	1,75m
Minimum space:	6,92m x 3,86m
Critical fall height:	0,90m
Falling area:	24,78m ²
Foundations depth:	-0,60m

Top view with falling area

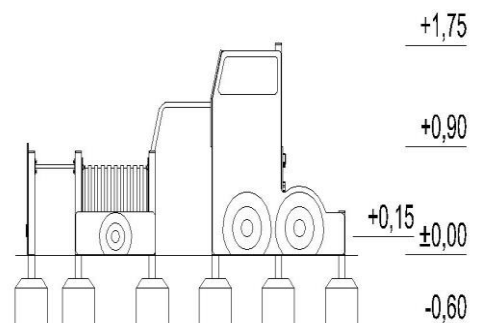


The device according to EN 1176-1:2017

Playground equipment and surfacing – Part 1:
General safety requirements and test methods

Safety surfaces:

- turf/topsoil, sand, gravel, bark, synthetic surface
- minimal thickness for loose particulate materials 200+100mm
- synthetic surface according to critical fall height



COMPONENTS:

Hide:
Tunnel:
Climbing wall
Tower without roof, platform 15 cm
Tower with roof, platform 90 cm

1 pc.
1 pc.
1 pc.
1 pc.
1 pc.

MATERIALS:

Construction poles: square steel profiles, galvanized, powder coated in gray
Anchors: galvanized steel
Decorative elements: HDPE sheet
Platform: made of impregnated pinewood, to prevent slipping,
Steel elements: galvanized steel, powder coated
Climbing wall: waterproof plywood, mountaineering handles
Tunnel: PVC tube
Covers: plastic
Foundations: concrete class min. C12 / 15



SATERNUS DISTRIBUTION Sp. z o.o. sp.k.
ul. Nowa 32
41-500 Chorzów, Poland

Certificate beholder:
Producer:
Distributor:

GRUPA SATERNUS Sp. z o.o. S. K. A. reserves all rights to protect copyright under the Act of February 4, 1994 on Copyright and Related Rights (Journal of Laws No. 28, item 83), and in particular Art. 78 and 79 of this Law.

GRUPA SATERNUS Sp. z o.o. S. K. A.
Saternus Production Sp. z o.o. sp. k.
Saternus Distribution Sp. z o.o. sp. k.