

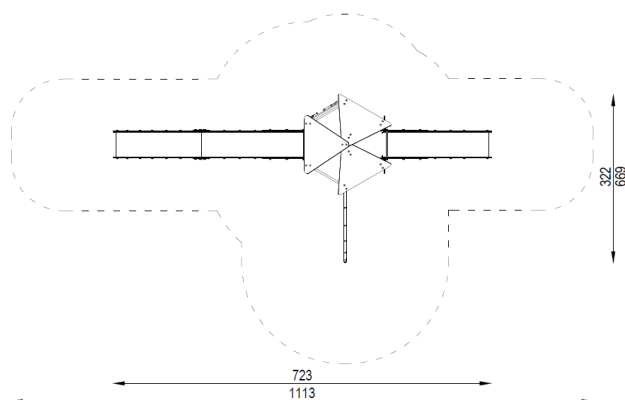


TECHNICAL DATA:

Not easily accessible device,
according to standard EN 1176-1:2017

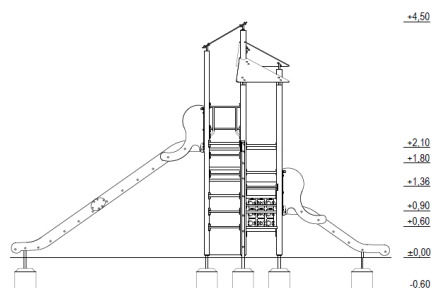
Device dimensions:	7,23 x 3,22m
Device height:	4,50m
Minimum space:	11,13 x 6,69m
Falling area:	41,10m ²
Critical fall height:	2,10m
Foundations depth:	-0,60m

Top view with falling area



The device according to EN 1176-1:2017
Playground equipment and surfacing – Part 1:
General safety requirements and test methods

- Safety surfaces:
- sand, gravel, bark, synthetic surface
 - minimal thickness for loose particulate materials 300+100mm
 - synthetic surface according to critical fall height



COMPONENTS:

Triangular tower without roof, platform 0,90m:	1 pc
Triangular tower without roof, platform 1,50m:	1 pc
Triangular tower without roof, platform 1,80m:	1 pc
Triangular tower with roof, platform 0,60m:	1 pc
Triangular tower with roof, platform 1,36m:	1 pc
Triangular tower with roof, platform 2,10m:	1 pc
Vertical ladder:	5 pcs
Climbing wall 1,50m:	1 pc
Slide 0,90m:	1 pc
Slide 2,10m:	1 pc
Arched rope net:	1 pc
Tic Tac Toe game:	1 pc

MATERIALS:

Construction poles:	galvanized steel pipes, powder coated in gray
Flat decorative elements:	HDPE sheets,
Platforms:	waterproof plywood, with anti-slip layer, based on steel structure
Steel elements:	galvanized steel, powder coated
Surface of slope slide:	stainless steel,
Climbing walls:	waterproof plywood, climbing grips, based on resins
Ropes:	polypropylene braided with a steel, interconnected by plastic fasteners
Tic tac toe:	polypropylene rolls,
Caps:	plastic
Foundations:	concrete min. C12/15 standard



SATERNUS DISTRIBUTION Sp. z o.o. sp.k.
ul. Nowa 32
41-500 Chorzów, Poland

Certificate beholder:
Producer:
Distributor:

GRUPA SATERNUS Sp. z o.o. S. K. A. reserves all rights to protect copyright under the Act of February 4, 1994 on Copyright and Related Rights (Journal of Laws No. 28, item 83), and in particular Art. 78 and 79 of this Law.

GRUPA SATERNUS Sp. z o.o. S. K. A.
Saternus Production Sp. z o.o. sp. k.
Saternus Distribution Sp. z o.o. sp. k.