

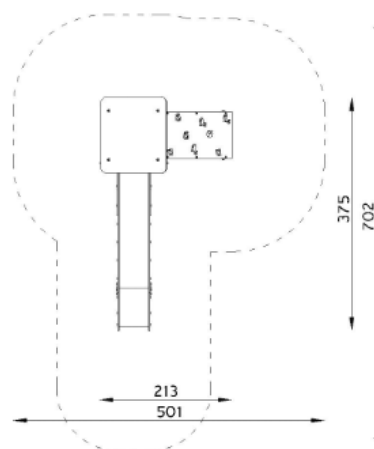


**TECHNICAL DATA:**

Not easy accessible device,  
according to standard EN 1176-1:2017

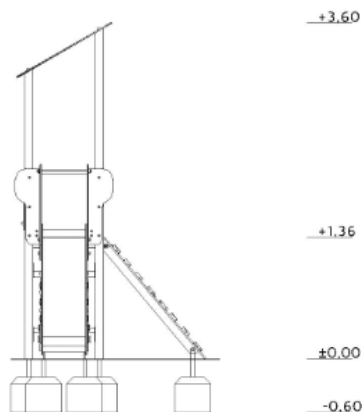
Device dimensions:	2,13 x 3,75m
Device height:	3,60m
Minimum space:	5,01 x 7,02m
Falling area:	24,68m <sup>2</sup>
Critical fall height:	1,36m
Foundations depth:	-0,60m

**Top view with falling area**



The device according to EN 1176-1:2017  
Playground equipment and surfacing – Part 1:  
General safety requirements and test methods

- Safety surfaces:
- sand, gravel, bark, synthetic surface
  - minimal thickness for loose particulate materials 200+100mm
  - synthetic surface according to critical fall height



## COMPONENTS:

Tower with roof, platform 1,36m:	1 pc
Climbing wall 1,36m:	1 pc
Slide 1,36m:	1 pc
'Tic Tac Toe' Interactive game:	1 pc

## MATERIALS:

Construction poles:	galvanized steel profiles, powder coated in gray
Anchors:	galvanized steel
Flat decorative elements:	HDPE sheets,
Platforms, gangways:	impregnated pinewood boards, with machined anti-skid surface,
Steel elements:	galvanized steel, powder coated
Surface of slope slide:	stainless steel, 1,5 mm thick
Tic tac toe:	polypropylene rolls, screen-printed
Caps:	plastic
Foundations:	concrete min. C12/15 standard



SATERNUS DISTRIBUTION Sp. z o.o. sp.k.  
ul. Nowa 32  
41-500 Chorzów, Poland

Certificate beholder:  
Producer:  
Distributor:

GRUPA SATERNUS Sp. z o.o. S. K. A. reserves all rights to protect copyright under the Act of February 4, 1994 on Copyright and Related Rights (Journal of Laws No. 28, item 83), and in particular Art. 78 and 79 of this Law.

GRUPA SATERNUS Sp. z o.o. S. K. A.  
Saternus Production Sp. z o.o. sp. k.  
Saternus Distribution Sp. z o.o. sp. k.