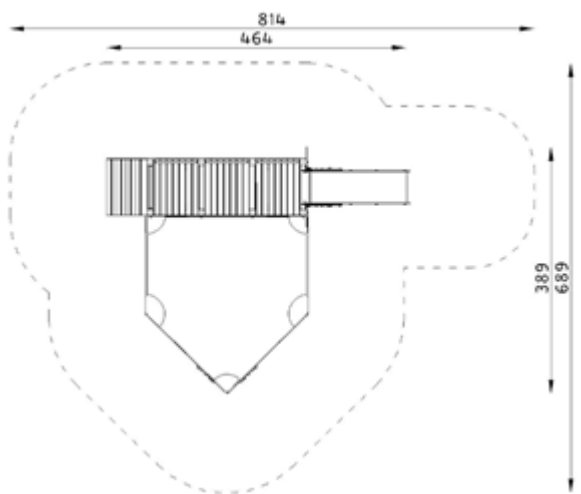




TECHNICAL DATA:

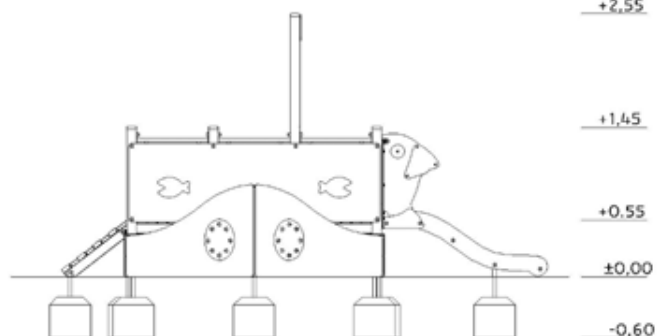
Device dimensions:	3,89m x 4,64m
Device height:	~2,55m
Minimum space:	8,14m x 6,89m
Falling area:	37,95m ²
Critical fall height:	0,40m
Foundations depth:	- 0,60m

Top view with falling area



The device according to EN 1176-1:2017
 Playground equipment and surfacing – Part 1:
 General safety requirements and test methods

A cushioning surface is not required.
 The surface under the whole device must be homogeneous.



COMPONENTS

Sandbox:	1 pc.
Platform 55 cm:	1 pc.
Drawing board:	1 pc.
Entry gangplank 55 cm:	1pc.
Slide. 55 cm:	1 pc.

MATERIALS:

Construction poles:	pine wood glued, rounded at the edges, coated with acrylic glaze
Anchors:	galvanized steel
Sandbox walls:	HDPE
Decorative elements:	HDPE
Sandbox seats:	waterproof plywood
Platforms:	made of impregnated pine and milled wood to prevent slipping
Steel elements:	galvanized steel, powder coated
Slide:	stainless steel
Covers:	plastic
Foundations:	concrete class min. C12 / 15



SATERNUS DISTRIBUTION Sp. z o.o. sp.k.
ul. Nowa 32
41-500 Chorzów, Poland

Certificate beholder:
Producer:
Distributor:

GRUPA SATERNUS Sp. z o.o. S. K. A. reserves all rights to protect copyright under the Act of February 4, 1994 on Copyright and Related Rights (Journal of Laws No. 28, item 83), and in particular Art. 78 and 79 of this Law.

GRUPA SATERNUS Sp. z o.o. S. K. A.
Saternus Production Sp. z o.o. sp. k.
Saternus Distribution Sp. z o.o. sp. k.