

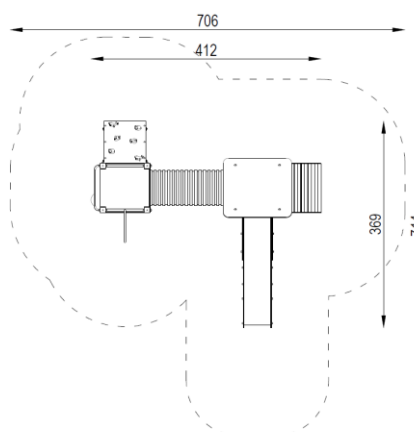


TECHNICAL DATA:

Not easily accessible device,
according to standard EN 1176-1:2017

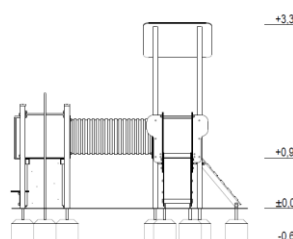
Device dimensions:	4,12 x 3,69m
Device height:	3,60m
Minimum space:	7,06 x 7,14m
Falling area:	34,44m ²
Critical fall height:	0,90m
Foundations depth:	-0,60m

Top view with falling area



The device according to EN 1176-1:2017
Playground equipment and surfacing – Part 1:
General safety requirements and test methods

Safety surfaces:
- turf / topsoil, sand, gravel, bark, synthetic surface
- minimal thickness for loose particulate materials 200+100mm
- synthetic surface according to critical fall height



COMPONENTS:

Tower without roof, platform 0,90m	1 pc
Tower with roof, platform 0,90m	1 pc
Slide 0,90m	1 pc
Fireman's pole 0,90m	1 pc
Corner climbing wall 0,90m	1 pc
Slope gangway 0,90m	1 pc
Tunnel passage	1 pc
Balcony	1 pc
Little shop	1 pc

MATERIALS:

Construction poles:	steel square profiles, galvanized, powder coated in gray
Flat decorative elements:	HDPE sheets
Platforms:	waterproof plywood, with anti-slip layer, based on steel structure
Steel elements:	galvanized steel, powder coated
Surface of slide:	stainless steel
Climbing walls:	waterproof plywood, climbing grips based on resins
Tunnel:	PVC pipe fastened to HDPE boards
Caps:	plastic
Foundations:	concrete min. C12/15 standard



SATERNUS DISTRIBUTION Sp. z o.o. sp.k.
ul. Nowa 32
41-500 Chorzów, Poland

Certificate beholder:
Producer:
Distributor:

GRUPA SATERNUS Sp. z o.o. S. K. A. reserves all rights to protect copyright under the Act of February 4, 1994 on Copyright and Related Rights (Journal of Laws No. 28, pc 83), and in particular Art. 78 and 79 of this Law.

GRUPA SATERNUS Sp. z o.o. S. K. A.
Saternus Production Sp. z o.o. sp. k.
Saternus Distribution Sp. z o.o. sp. k.