

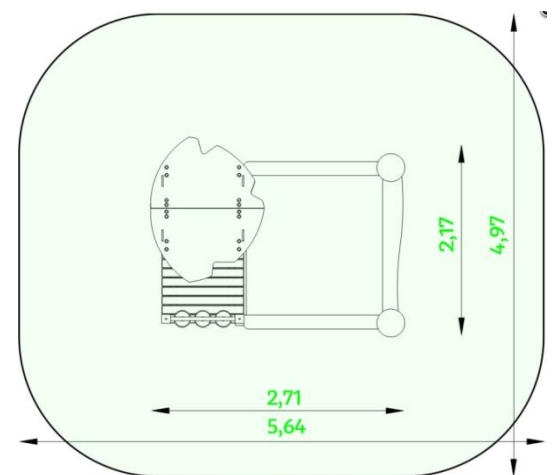
10047T HOUSE WITH SANDBOX PLYWOOD



TECHNICAL DATA:

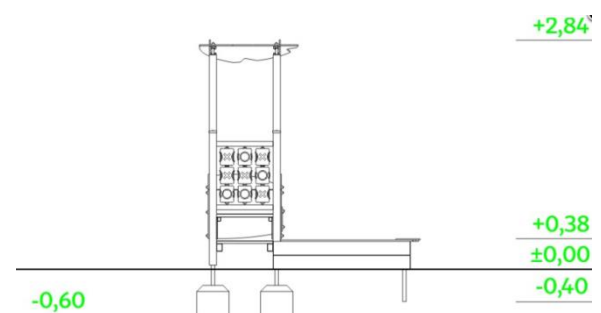
Device dimensions:	2,17m x 2,71m
Device height:	~2,84m
Minimum space :	5,64m x 4,97m
Falling area:	26,10m ²
Critical fall height:	0,38m
Foundations depth:	-0,60m

Top view with falling area



The device according to EN 1176-1:2012
 Playground equipment and surfacing – Part 1:
 General safety requirements and test methods

A cushioning surface is not required.
 The surface under the whole device must be homogeneous.



COMPONENTS:

'Tic Tac Toe' interactive game:
Sandbox:
Tower with roof 40 cm:

1 pc.
1 pc.
1 pc.

MATERIALS:**Decorative elements:**

HDPE sheet

Sandbox seats:

HDPE

Sandbox walls:

waterproof plywood

Platforms:

made of impregnated pine and milled wood to prevent slipping

Steel elements:

galvanized steel, powder coated

Construction poles:

pine wood glued, rounded at the edges, coated with acrylic glaze

Covers:

plastic

Anchors:

galvanized steel

Foundations:

concrete class min. C12 / 15



SATERNUS DISTRIBUTION Sp. z o.o. sp.k.
ul. Nowa 32
41-500 Chorzów, Poland

Certificate beholder:
Producer:
Distributor:

GRUPA SATERNUS Sp. z o.o. S. K. A. reserves all rights to protect copyright under the Act of February 4, 1994 on Copyright and Related Rights (Journal of Laws No. 28, item 83), and in particular Art. 78 and 79 of this Law.

GRUPA SATERNUS Sp. z o.o. S. K. A.
Saternus Production Sp. z o.o. sp. k.
Saternus Distribution Sp. z o.o. sp. k.