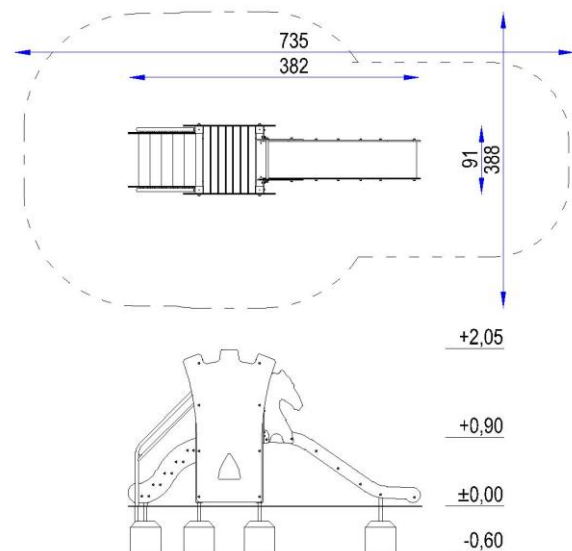


**TECHNICAL DATA:**

Easily accessible device,  
according to standard EN 1176-1:2017

Device dimensions:	0,91m x 3,82m
Device height:	~2,05m
Minimum space:	3,88m x 7,35m
Falling area:	0,90m
Critical fall height:	-0,60m
Foundations depth:	21,99 m <sup>2</sup>

**Top view with fallingarea**

The device according to EN 1176-1:2017

Playground equipment and surfacing – Part 1:

General safety requirements and test methods.

Safety surfaces:

- turf/topsoil, sand, gravel, bark, synthetic surface
- minimal thickness for loose particulate materials 200+100mm
- synthetic surface according to critical fall height

## COMPONENTS:

Tower without roof, platform 0,90 m 1 item  
Entry stairs 0,90 m 1 item  
Slide 0,90 m 1 item

## MATERIALS:

Construction poles: glued laminated pine timber, with a cross-section of 90x90mm, rounded at the edges, varnish painted dark brown

Anchors: galvanized black steel

Flat decorative elements: HDPE sheets, 15mm thick

Platforms, gangway: impregnated pinewood boards, with machined anti-skid surface, 35mm thick

Steel elements: galvanized black steel, powder coated

Surface of the slide: stainless steel, 1,5 mm thick

Caps: plastic

Foundations: concrete min. C12/15 standard



SATERNUS DISTRIBUTION Sp. z o.o. sp.k.  
ul. Nowa 32  
41-500 Chorzów

Właściciel certyfikatu:  
Producent:  
Dystrybutor:

SATERNUS DISTRIBUTION Sp. z o.o. sp. k. zastrzega sobie wszelkie prawa do ochrony praw autorskich na podstawie Ustawy dnia 04.02.1994 r. o prawie autorskim i prawach pokrewnych (DZ. U. Nr 28 poz. 83) a zwłaszcza art. 78 i 79 tejże ustawy.

GRUPA SATERNUS Sp. z o.o. S. K. A. (następca prawny Place Zabaw Saternus Sp. z o.o.)  
Saternus Production Sp. z o.o. sp. k.  
Saternus Distribution Sp. z o.o. sp. k.