

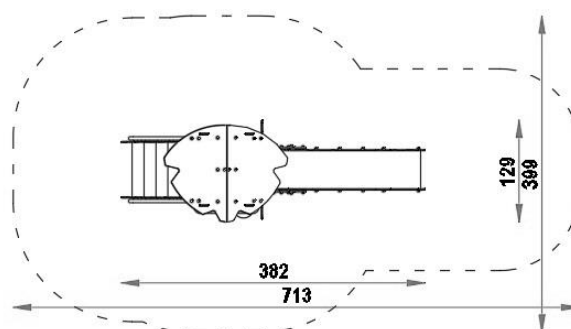


TECHNICAL DATA:

Easily accessible device,
according to standard EN 1176-1:2017

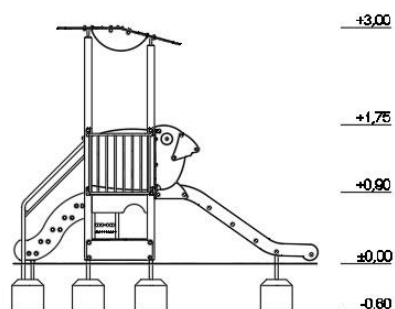
Device dimensions:	3,82 x 1,29m
Device height:	3,00m
Minimum space:	7,13 x 3,99m
Falling area:	22,28m ²
Critical fall height:	0,90m
Foundations depth:	-0,60m

Top view with falling area



The device according to EN 1176-1:2012
Playground equipment and surfacing – Part 1:
General safety requirements and test methods.

Safety surfaces:
- turf/topsoil, sand, gravel, bark, synthetic surface
- minimal thickness for loose particulate materials 200+100mm
- synthetic surface according to critical fall height



COMPONENTS:

Roofed square platform 0,90m	1 pc
Stairs 0,90m	1 pc
Slide 0,90m	1 pc
Balcony	1 pc
Little shop	1 pc

MATERIALS:

Construction poles:	steel square profiles, galvanized, powder coated in gray
Anchors:	galvanized steel
Flat decorative elements:	HDPE sheets
Platforms, gangway:	waterproof plywood, with anti-slip layer, based on steel structure
Steel elements:	galvanized steel, powder coated
Surface of the slide:	stainless steel
Caps:	plastic
Foundations:	concrete min. C12/15 standard



SATERNUS DISTRIBUTION Sp. z o.o. sp.k.
ul. Nowa 32
41-500 Chorzów, Poland

Certificate beholder:
Producer:
Distributor:

GRUPA SATERNUS Sp. z o.o. S. K. A. reserves all rights to protect copyright under the Act of February 4, 1994 on Copyright and Related Rights (Journal of Laws No. 28, item 83), and in particular Art. 78 and 79 of this Law.

GRUPA SATERNUS Sp. z o.o. S. K. A.
Saternus Production Sp. z o.o. sp. k.
Saternus Distribution Sp. z o.o. sp. k.