



1303MP



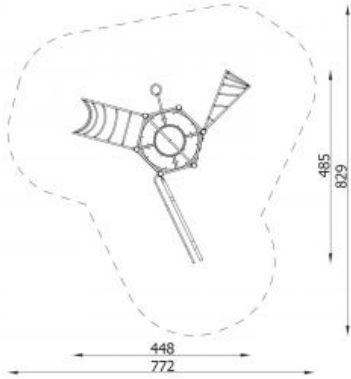
Description

Multiclimber is a set of fitness devices which are quite a challenge to overcome, even for athletic children. During climbing, passing, hanging, every muscle works, thanks to which strength, endurance, coordination, as well as agility and flexibility improve. Such fun guarantees balanced motor development.

Overcoming your own limitations and developing your overall fitness are undoubted advantages for users of fitness devices. The set was made of the highest quality materials, the metal elements are protected with a zinc layer and powder paint, and the platforms are made of non-slip HDPE board.

Model type	Solitair
Serial number	1303MP
Equipment name	Muticlimber 3 1303

Join the action!



Product line	Action Multi Climbers Solitair
Age range	3 - 14
Unit measurements	387cm x 503cm x 324cm
Required surface area	755cm x 795cm
Impact area	43m ²
Free height of fall	300cm

Material Bearing posts are made of round, steel pipes with a diameter of 114 mm, fixed direct in the ground. Antislip platforms. Ropes made of polypropylene with a steel core, thickness 16-18 mm, vandalism and UV resistant. All fittings and connectors are weather and UV resistant. Steel elements are protected against corrosion by zinc layer and powder paint coating.

Heaviest part	41kg
Largest part	80cm - 320cm
Spare parts	Available

Installation time without grondwork 16 hour(s) / 2 person(s)

Special tools Included

Anchoring Anchors are installed +/- 60 cm under ground level. Concrete is needed for more stability where necessary.

Remarks

