



1902

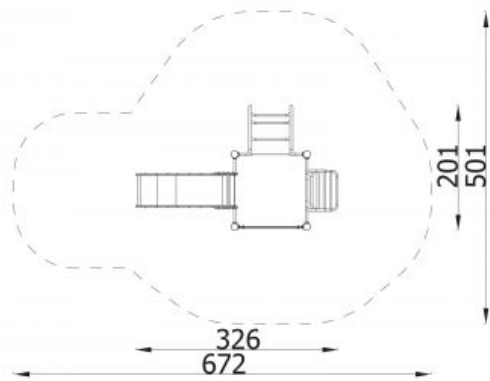


Description

Small playground with square platform,
stainless steel slide, 2 ladders and
security panel

Model type	Modulair
Serial number	1902
Equipment name	1902 - MKP-J006

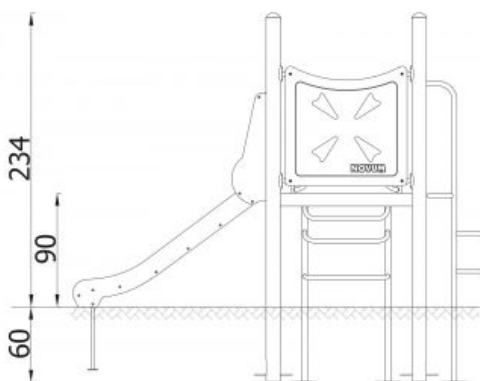
Join the action!



Product line	Action Public Metal Modulair
Age range	3 - 12
Unit measurements	201cm x 326cm x 234cm
Required surface area	501cm x 672cm
Impact area	24.5m ²
Free height of fall	90cm

Material

Bearing posts are made of round, steel pipes with a diameter of 114 mm, fixed direct in the ground. Antislip platforms. Roofs, security elements and panels are made of HDPE (high durable polyethylene) boards with pattern cuttings. Sliding surface is made of acid-proof, stainless steel sheet. Ropes made of polypropylene with a steel core, thickness 16-18 mm, vandalism and UV resistant. All fittings and connectors are weather and UV resistant. Steel elements are protected against corrosion by zinc layer and powder paint coating.



Heaviest part	30kg
Largest part	117cm - 117cm
Spare parts	Available
Installation time without grondwork	5 hour(s) / 2 person(s)

Special tools

Included

Anchoring

Poles are fixed in the ground at a depth of 60 cm on steel anchors. Concrete according to the assembly instructions.

Remarks

no