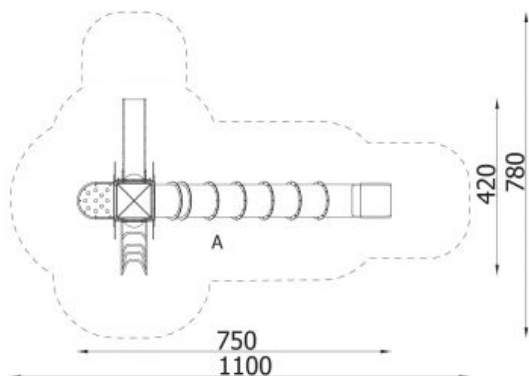


Description

Over 5 meter slide, vertical tunnel with ropes and futuristic design are the elements that distinguish this set. The rocket has 2 slides, the lower one has an arched entrance, a higher one is connected to the tunnel with ropes and a climbing wall. Above the bridge, located at a height of 2.5 meters, there are 2 holes, through which children can watch the playground and friends.

Model type	Modulair
Serial number	3511MP
Equipment name	Skyrocket 3511

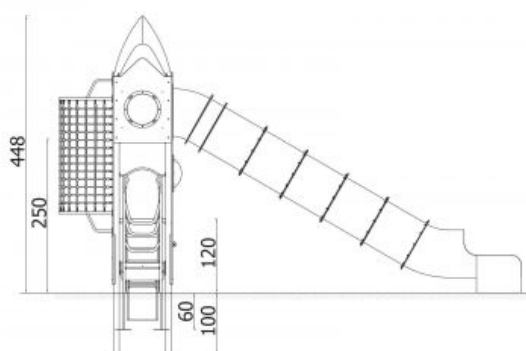
Join the action!



Product line	Action Mini Playgrounds Modulair
Age range	3 - 14
Unit measurements	420cm x 750cm x 250cm
Required surface area	780cm x 1100cm
Impact area	48m ²
Free height of fall	120cm

Material

"Bearing posts made of square steel profiles with a cross 9x9xcm, fixed direct in the ground.
 Antislip platforms.
 Roof, security elements and panels are made of HDPE (high durable polyethylene) boards with pattern cuttings.
 Sliding surface is made of acid-proof, stainless steel sheet.
 Ropes made of polypropylene with a steel core, thickness 16-18 mm, vandalism and UV resistant.
 All fittings and connectors are weather and UV resistant.
 Wood elements are oiled or covered with a colour glaze.
 Steel elements are protected against corrosion with zinc layer and powder paint coating.
 "



Heaviest part	kg
Largest part	cm - cm
Spare parts	None
Installation time without grondwork	0 hour(s) / 0 person(s)
Special tools	None

Anchoring

Poles are fixed in the ground at a depth of 100 cm on steel anchors. Concrete according to the assembly instructions.

Remarks