



NOVUM

3003EPZ

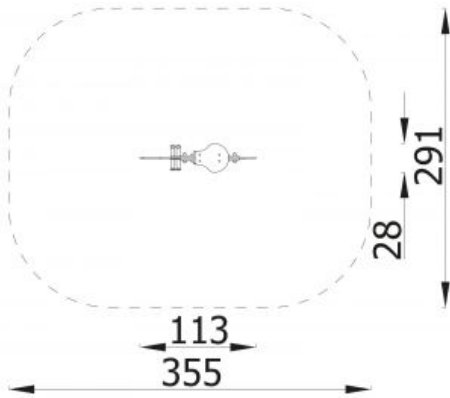


Description

An indispensable element of every playground. Thanks to careful execution, it is the favorite companion of every child's play. Spring ride is an unforgettable adventure, which also develops coordination and balance. It provides children with unique entertainment in a friendly environment and creates the opportunity to use child energy positively.

Model type	Solitaire
Serial number	3003EPZ
Equipment name	Giraffe 3003

Join the action!



Product line	Action Spring Riders Solitair
Age range	1 - 12
Unit measurements	28cm x 113cm x 91cm
Required surface area	291cm x 355cm
Impact area	9.5m ²
Free height of fall	60cm
Material	Concrete Base, Fastening materials (bolts etc.): Stainless steel, Steel parts: Zinc primer and powder coated, Panels: UV-resistant High Density Polyethylene (HDPE) Material thickness: 19mm
Heaviest part	30kg
Largest part	90cm - 113cm
Spare parts	Available
Installation time without grondwork	1 hour(s) / 1 person(s)
Special tools	Included
Anchoring	Posts are directly 45 cm longer and will be installed 45 cm under ground level.
Remarks	Safety surface is required.

