



NOVUM

1001EPZN

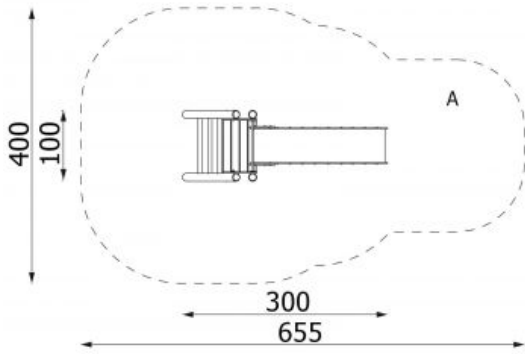


Description

Slide is an indispensable element of every playground. Made of the highest quality materials, durable and safe. Provides great fun, it is an ideal place to use children's energy.

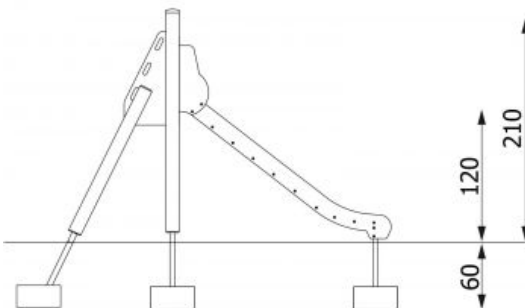
Model type	Solitair
Serial number	1001EPZN
Equipment name	Set 1 1001

Join the action!



Product line	Action Slides Solitair
Age range	3 - 14
Unit measurements	300cm x 100cm x 210cm
Required surface area	655cm x 400cm
Impact area	21m ²
Free height of fall	120cm

Material Bearing posts have a diameter of 12 cm and are made of glue-laminated, round, wood, fixed 10 cm above the ground level with metal anchors. Antislip platforms. Roofs, security elements and panels are made of HDPE (high durable polyethylene) boards with pattern cuttings. Sliding surface is made of acid-proof, stainless steel sheet. Ropes made of polypropylene with a steel core, thickness 16-18 mm, vandalism and UV resistant. All fittings and connectors are weather and UV resistant. Wood elements are oiled or covered with a colour glaze. Steel elements are protected against corrosion by zinc primer and powder paint coating.



Heaviest part	49kg
Largest part	78cm - 312cm
Spare parts	Available
Installation time without groundwork	2 hour(s) / 2 person(s)
Special tools	Included

Anchoring Poles are fixed in the ground at a depth of 60 cm on steel anchors. Concrete according to the assembly instructions.

Remarks no