



NOVUM

7210EPZ



Description

A device supporting the development of small motor skills for children aged 0-3.

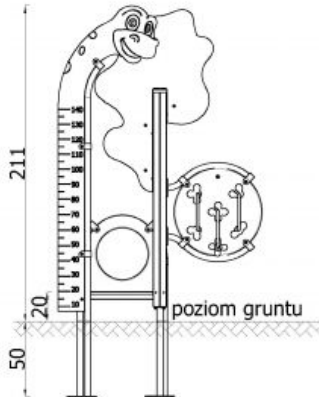
With its fanciful shape and aesthetic design, it encourages perseverance in play, raising the level of manual fitness, visual-motor coordination and the ability to focus attention. And by the way, during the fun you can measure your height! Climbing and descending from the island practicing balance, coordination of movements and strength of hands.

Model type Modulair

Serial number 7210EPZ

Equipment name Dino Measure 7210

Join the action!



Product line	Action Mini Playgrounds Modulair
Age range	0 - 3
Unit measurements	135cm x 64cm x 217cm
Required surface area	435cm x 364cm
Impact area	0m ²
Free height of fall	0cm

Material Panels made of high-pressure polyethylene (HDPE).
All fasteners resistant to atmospheric conditions and UV radiation.
Steel elements protected against corrosion by zinc primer and powder coating.

Heaviest part kg

Largest part cm - cm

Spare parts None

Installation time without grondwork 1 hour(s) / 2 person(s)

Special tools None

Anchoring Set up 50 cm below ground level on metal anchors.

Remarks

