



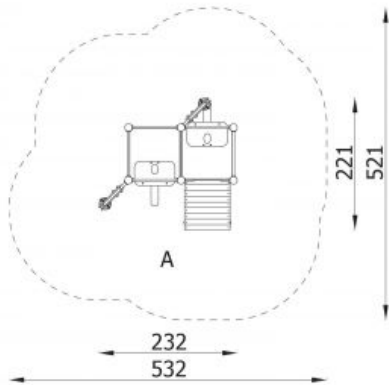
## Description

Play table with an attractive strainer, funnel and a bowl used for pouring sand. The bottom table top is rotatable.

<b>Model type</b>	Modulair
<b>Serial number</b>	11193EPO
<b>Equipment name</b>	Sand winch orbis 11193

*Join the action!*

# Sand winch orbis 11193



<b>Product line</b>	Action Sand and Water Modulair
<b>Age range</b>	3 - 12
<b>Unit measurements</b>	221cm x 232cm x 231cm
<b>Required surface area</b>	521cm x 532cm
<b>Impact area</b>	22m <sup>2</sup>
<b>Free height of fall</b>	56cm

**Material** Made out of round pipes, mounted directly in the ground and HDPE panels.  
All fasteners resistant to atmospheric conditions and UV radiation.  
Steel elements protected against corrosion by zinc layer and powder coating.

**Heaviest part** kg

**Largest part** cm - cm

**Spare parts** None

**Installation time without grondwork** 3 hour(s) / 3 person(s)

**Special tools** None

**Anchoring** Mounted directly in the ground at a depth of 60 cm on steel anchors.  
Concrete according to the assembly instructions.

**Remarks**

