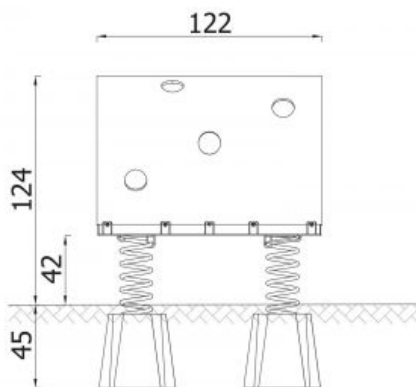
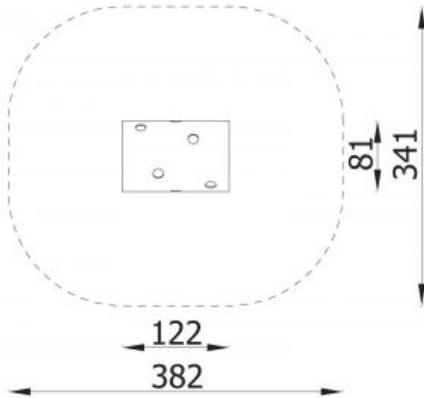


Description

An indispensable element of every playground. Thanks to careful execution, it is the favorite companion of every child's play. Spring ride is an unforgettable adventure, which also develops coordination and balance. It provides children with unique entertainment in a friendly environment and creates the opportunity to use child energy positively.

Model type	Solitaire
Serial number	30150
Equipment name	Tube Rocker 3015

Join the action!



Product line	Action Spring Riders Solitair
Age range	3 - 12
Unit measurements	122cm x 81cm x 124cm
Required surface area	422cm x 381cm
Impact area	10m ²
Free height of fall	42cm
Material	Concrete Base, Fastening materials (bolts etc.): Stainless steel, Steel parts: Zinc layer and powder coated, Panels: UV-resistant High Density Polyethylene (HDPE) Material thickness: 19mm
Heaviest part	kg
Largest part	cm - cm
Spare parts	None
Installation time without grondwork	1 hour(s) / 1 person(s)
Special tools	None
Anchoring	Posts are directly 45 cm longer and will be installed 45 cm under ground level.
Remarks	