



4404WO



Description

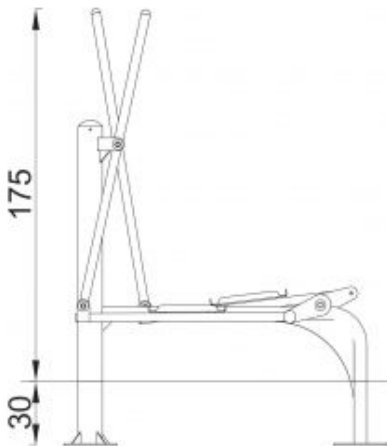
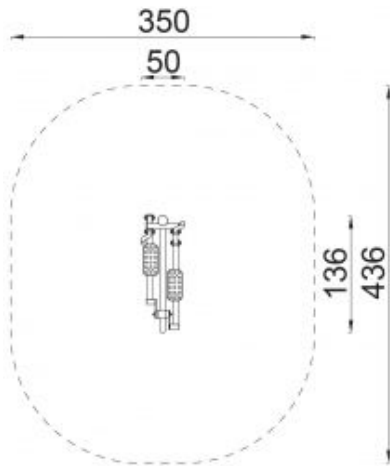
"Device functions: Improves the condition of the joints, strengthens the muscles of the legs, hips and shoulders.

Improves physical fitness and general physical condition.

Method of use: Place both feet on pedals and firmly grab the handles. Move your legs back and forth at the same time. Help yourself by pushing and pulling the handles."

Model type	Solitair
Serial number	4404WO
Equipment name	Crosstrainer

Join the action!



Product line	Action Outdoor Fitness Solitair
Age range	14 - 99
Unit measurements	50cm x 136cm x 175cm
Required surface area	350cm x 450cm
Impact area	13.5m ²
Free height of fall	175cm
Material	Powder coated zinc layer steel. Pole is made of a steel tubes diameter 114 mm. Holders and other tube elements are made of steel tube diameter 40 mm, 3,2 mm thickness. Seats: weather resistant HDPE. Pedals: stainless steel.
Heaviest part	kg
Largest part	cm - cm
Spare parts	None
Installation time without grondwork	4 hour(s) / 2 person(s)
Special tools	None
Anchoring	Equipment will be installed 30 cm under ground level on a concrete foundation. Extra concrete is needed for more stability.
Remarks	