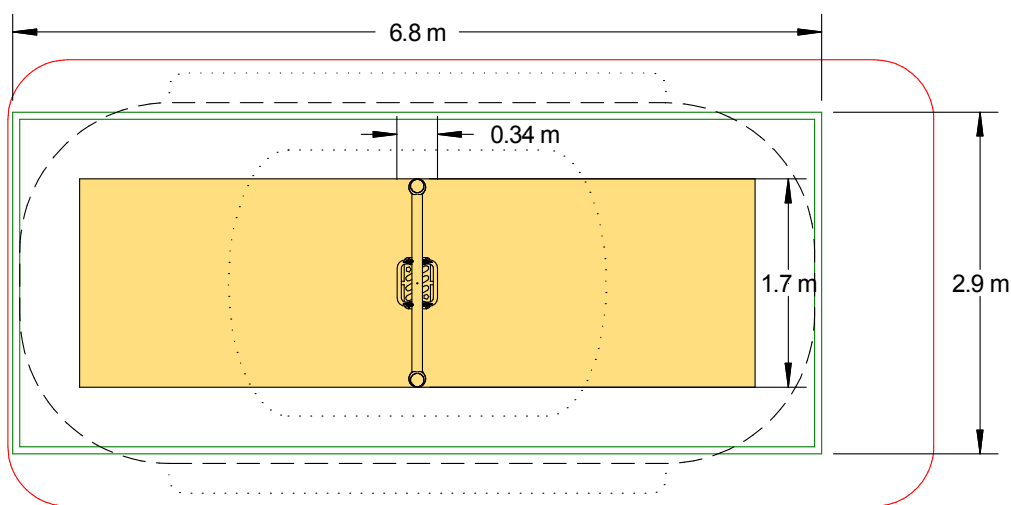
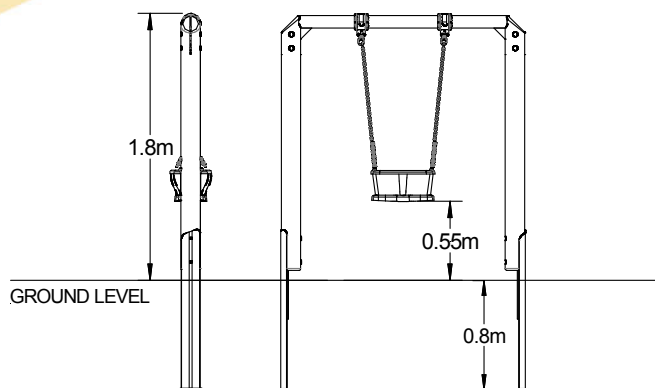


# Toddler Swing (Anti-Wrap)



**Circulation Area**

## Technical Information

### Equipment Dimensions

Length / Width / Height	<b>0.34m x 1.75m x 1.89m</b>
Surfacing and Area Required	
Minimum Space Required L/W/H	<b>6.8m x 4.25m x 3.4m</b>
Max Gradient of Ground	<b>1 in 50</b>
Free Height of Fall	<b>1.3m</b>
Impact Area	<b>9.92m<sup>2</sup></b>
Loosefill at 250mm	<b>5m<sup>3</sup></b>
Bark / Cushionfall / Sand	
Grasslok Tiles	<b>12m<sup>2</sup></b>

### Installation Information

Overall Weight	<b>88kg</b>
Heaviest Part	<b>32kg</b>
Largest Part	<b>1.75m x 0.27m</b>
Longest Part	<b>2.71m</b>
Concrete Required	<b>0.23m<sup>3</sup></b>



KITEMARKED TO BS EN 1176