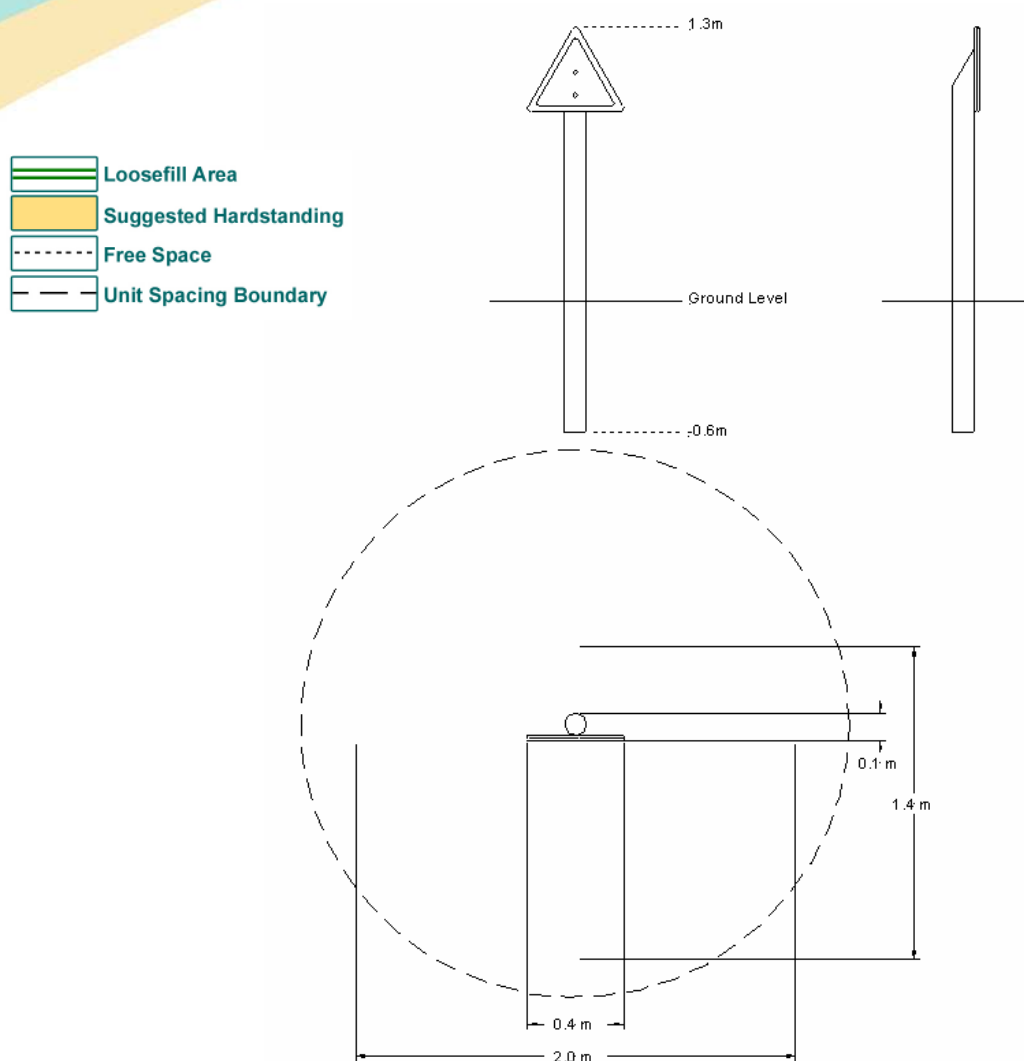


Road Traffic Signs



Technical Information

Equipment Dimensions

Length / Width / Height **0.4m x 0.1m x 1.3**

Surfacing and Area Required

Minimum Space Required L/W/H **2.0m x 1.4m x 2.4m**

Max Gradient Of Ground **n/a**

Free Height Of Fall **n/a**

Suggested Hardstanding **n/a**

Loosefill at 150mm

Bark / Cushionfall / Sand **n/a**

1m x 1m Rubber Tiles **n/a**

Installation Information

Overall Weight **15kg**

Heaviest Part **12kg**

Largest Part **1.9x0.1m**

Longest Part **1.9m**

Concrete Required **0.05m³**