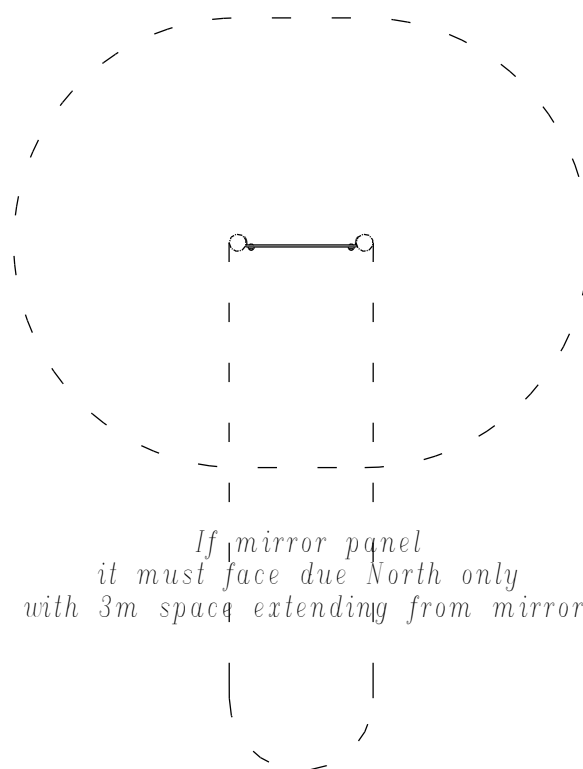
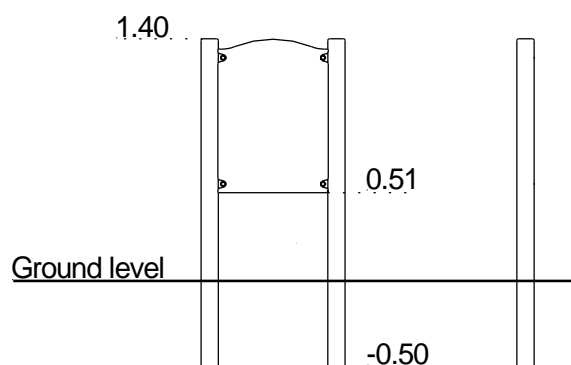


## School Play Panels – Freestanding



*If mirror panel  
it must face due North only  
with 3m space extending from mirror.*

### Technical Information

#### Equipment Dimensions

Length / Width / Height **0.9m x 0.3m x 1.4m**

#### Surfacing and Area Required

Minimum Space Required L/W/H **1.5m x 2.5m x 2.0m**

Max Gradient Of Ground **1:20**

Free Height Of Fall **n/a**

Suggested Hardstanding **n/a**

#### Installation Information

Overall Weight **35kg**

Heaviest Part **13kg**

Largest Part **0.9m x 0.7m x 0.2m**

Longest Part **1.9m**

Concrete Required **0.07m<sup>3</sup>**