

Product Sheet

MONKEY WALL IN ROBINIA

RO286



YEARS



PERSONS-HOURS

Product Information

Product type Robinia playground equipment
 Certification EN-1176
 Dimensions 2,0 x 0,2 x 2,0 m
 (length x width x height)

Materials

Type of wood: robinia

Technical Information

Maximum fall height 1,50 m
 Security zone 16 m²
 Number of children 4
 Concrete required
 No surface fixation available

Product Description

Monkey wall in robinia for children aged 6 to 15. The monkey wall consists of two vertical robinia poles that are fixed directly into the ground with concrete. Between these poles you can find a challenging climbing wall. At the bottom of the climbing wall you can find a hole where the children can crawl to the other side of the wall. All nuts and bolts are completely covered with flower-shaped protection caps.

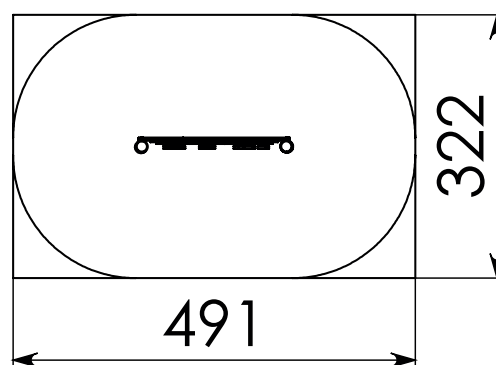
Product Sheet

MONKEY WALL IN ROBINIA

RO286



Security Zone



Oppervlakte: 16m² **Afmetingen (LxBxH):** 2,0 x 0,2 x 2,0m **Valhoogte:** 1,5m